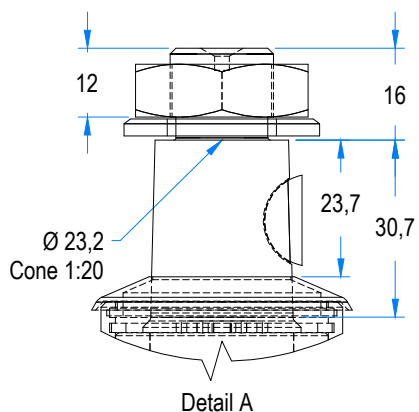
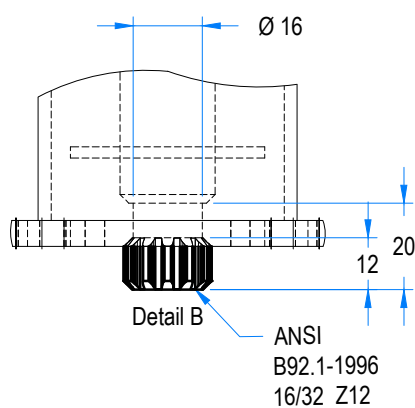


A-A Section



Detail A



Detail B

ANSI
B92.1-1996
16/32 Z12



Features

- Single lever operated tilt and telescope movement (infinite locking)
- Telescope travel: 60 mm
- Tilt travel toward driver: 30°
- Tilt travel toward windscreen: 10°
- Lower and higher tube length are on demand
- Steering Wheel and Column Switch options are available
- Serration and flange options are on demand
- Dimensions and specifications are subject to change without prior notice